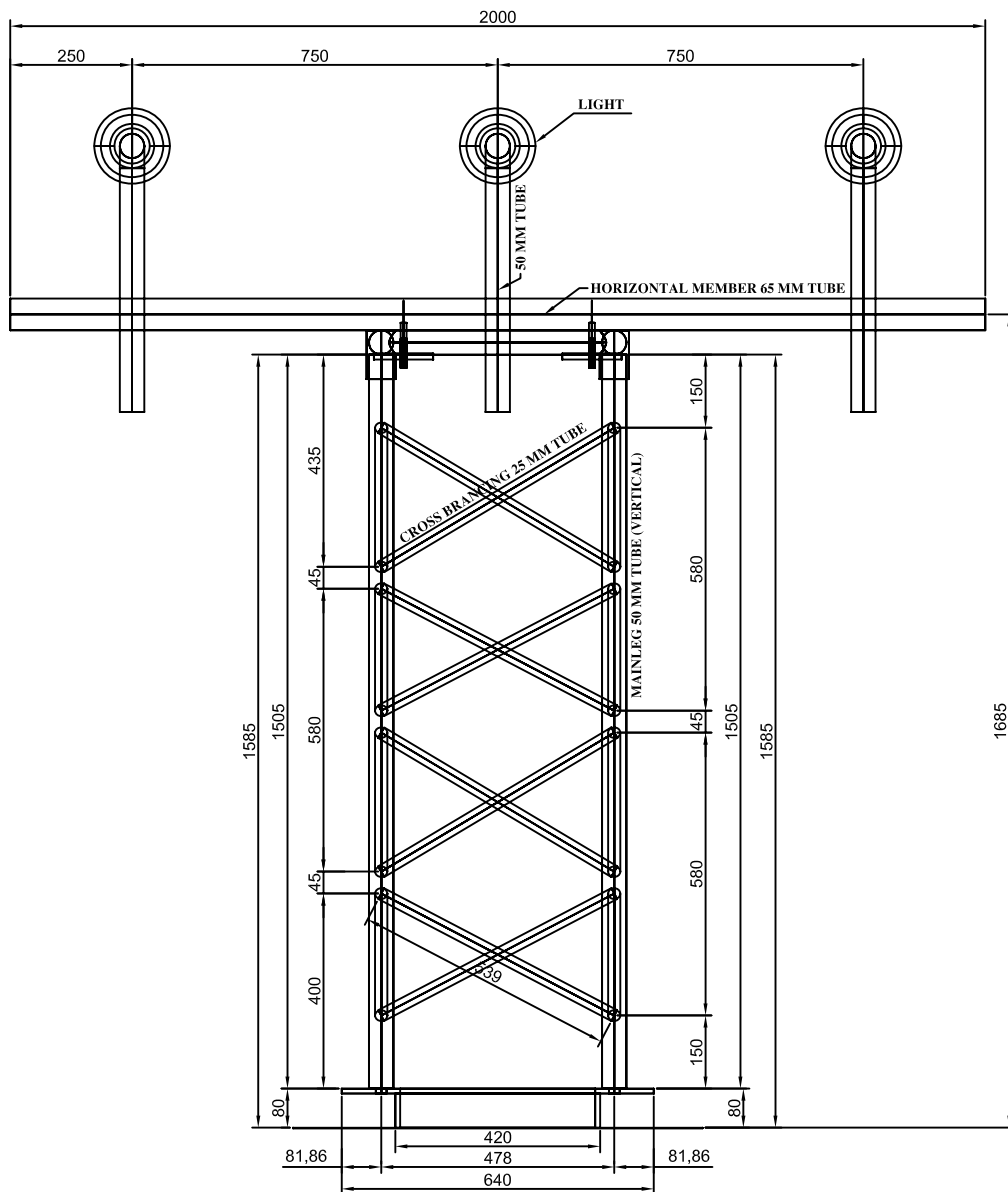
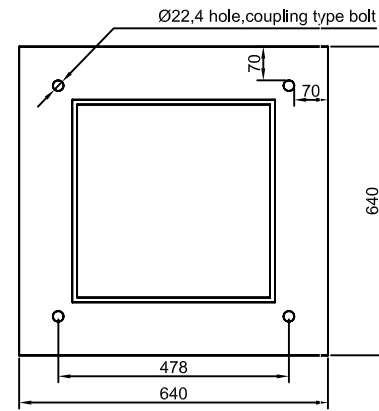


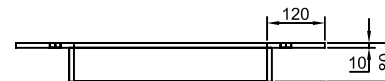
PLAN



ELEVATION

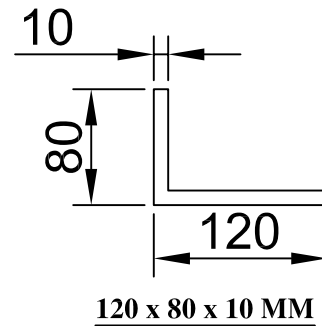


PLAN

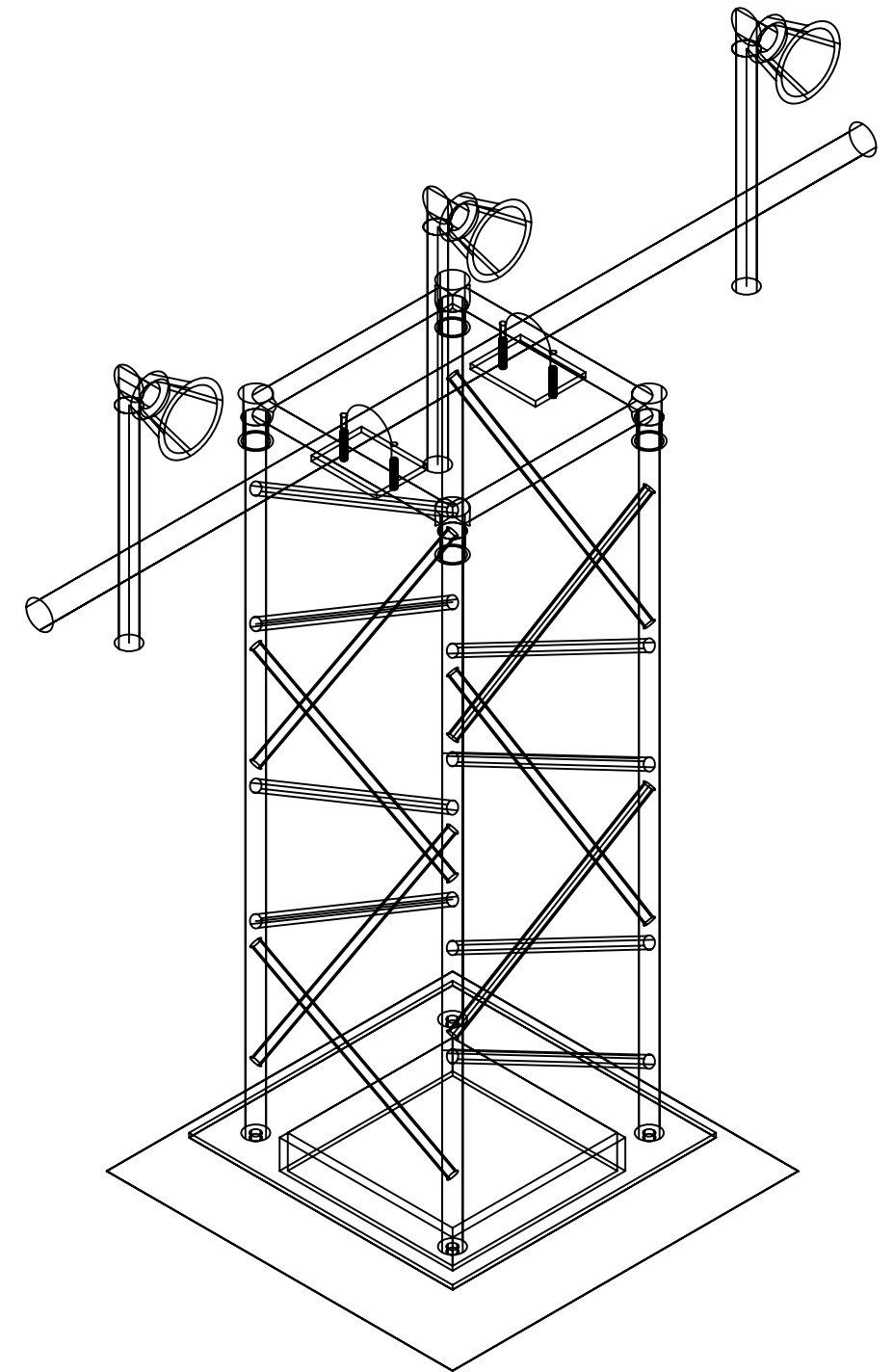


ELEVATION

BASE PLATE



120 x 80 x 10 MM



ISOMETRIC VIEW



Prepared:	Checked:	Approved:	Title FRP FLANGIBLE TOWER MAINLEG 50 MM TUBE	Scale 1:1
Without Sep.PL <input checked="" type="checkbox"/>	Sep.PL Same No: <input type="checkbox"/>	Sep.PL Other No: <input type="checkbox"/>		
Derived from:	Supersedes:	Superseded by:	Lang. en	Total Sh. 1
Revision:				
B Vadodara, India			Sheet 1	